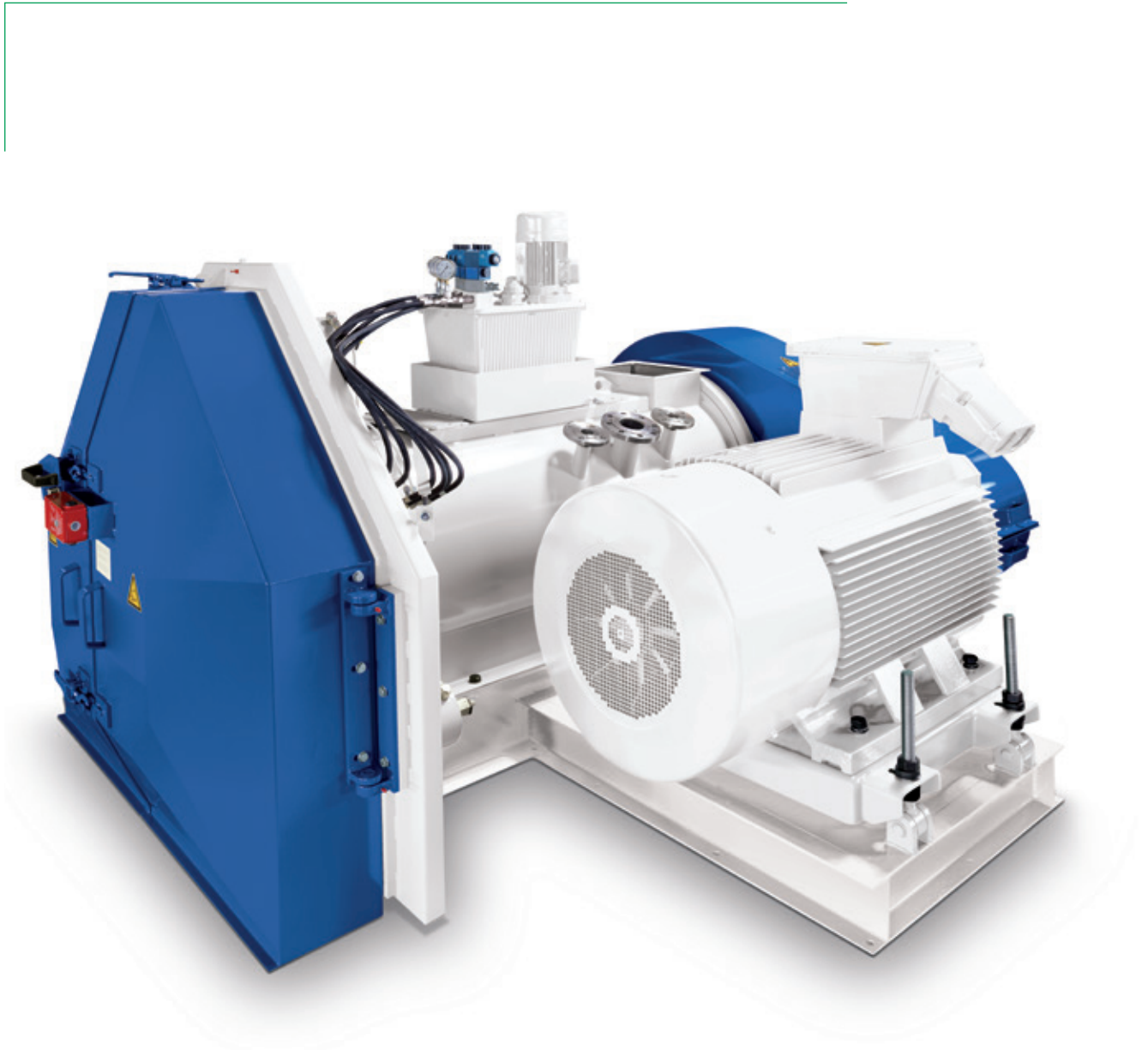




PELLETING  
TECHNOLOGY  
NETHERLANDS

## *BOA Compactor*



*Specialist in Pelleting equipment*

# BOA Compactor

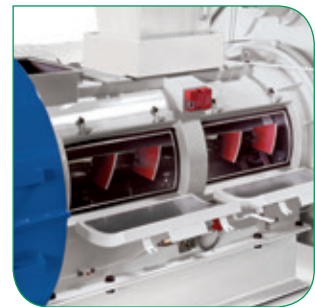
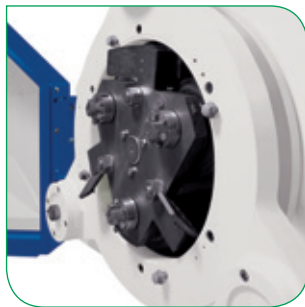
## General

A double-walled mixing chamber in which steam and liquids are introduced and the mixture is compacted using an hydraulically operated compacting chamber. Generously sized paddles, adjustable in both height and pitch, guarantee a homogeneous mixture and an hygienic process.

The mixture is introduced into the compacting chamber where a rotating three-roller head presses this through two conical friction rings. Three hydraulic cylinders accurately assess the adjustable distance (3-45 mm) between the friction rings which, along with the motor power of the main motor, determine the compaction level.

The unique combination of mixing chamber and compacting chamber ensures an optimum absorption of steam and liquids, a more homogeneous distribution of the raw materials, a higher pelleting capacity and excellent pellet quality.

*PTN's patented pre-compacting technology. A unique alternative for double pelleting or expanding.*

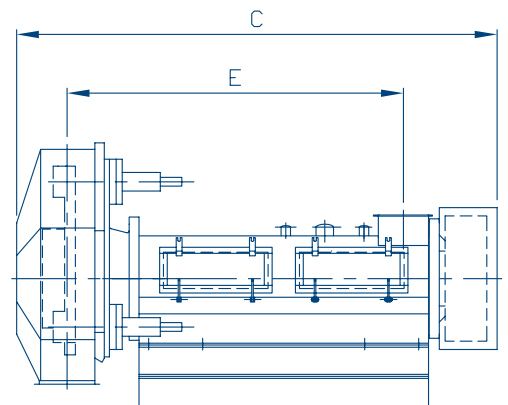
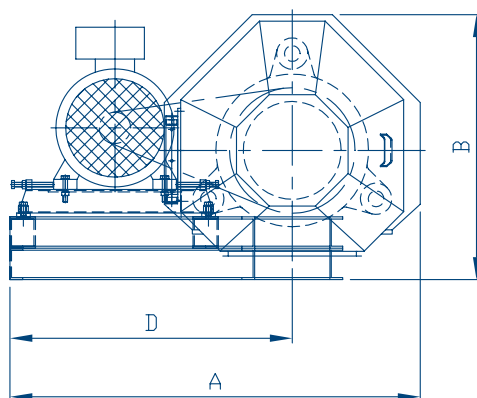


## Advantages

- » Improved pellet quality.
- » Increased capacity.
- » Extreme flexibility in choice of raw materials.
- » Optimum absorption of steam and liquids.
- » Up to 10% addition of liquid dosing.
- » Temperature up to 110° Celsius.
- » Homogeneous mixing and distribution of raw materials.
- » Hygienic process, easy to clean.
- » Low maintenance costs due to minimal wear.
- » Robust construction of the housing.
- » Simple design.
- » Simple operation and integration into existing automation systems.
- » Less kWh/Ton with respect to double pelleting or expanding.

## Features

- » Double walled mixer housing, inner wall in AISI 316, outer wall in mild steel.
- » Door at the front and main shaft from AISI 304.
- » Solid main shaft.
- » Large interchangeable paddles, adjustable in both height and pitch.
- » Main shaft equipped with speed sensor.
- » Compacting chamber with rotating three-roller head, one stationary and one adjustable friction ring.
- » Three hydraulic cylinders with accurate read-out system.
- » Hydraulic unit.
- » Main shaft powered by electric motor.
- » Transmission via V-belts.
- » Shearpin protection against overload.
- » Door and large inspection hatches with safety switch.
- » Temperature sensor PT 100 in mixing chamber and on front bearing.
- » One steam inlet 3" and two liquid inlets 1½".



Type	Capacity Tons/hr	Dimensions in mm					Mainmotor (kW max.)	Weight incl. motor (kg)
		A	B	C	D	E		
500 x 1500	12	2097	1354	2456	1443	1720	132	4500
700 x 1500	25	2377	1585	2598	1525	1769	250	6000

## References

» Fane Valley,  
Ireland



» ABB,  
New Zealand



» Egli,  
Switzerland



FEEDER SCREW

CONDITIONER

TCS - RTB

BOA COMPACTOR

PELLET MILL

COOLER

CRUMBLER

ROTOR SIFTER



PTN produces and develops high-quality, reliable machines. It strives to provide its customers with the following benefits through its products:

- » Higher yields.
- » Lower energy consumption.
- » Low maintenance requirements.
- » Access to state-of-the-art technology.

As a globally operating, specialized manufacturer of pelletisers and related machinery it is our ambition to expand to become the most respected professional OEM (Original Equipment Manufacturer).

Our strategy for achieving this ambition is to:

- » Expand and consolidate the global network of professional sales and service points.
- » Create a virtual and real image of professionalism, quality and innovation as well as a high level of standardisation and digital accessibility for strategic partners.
- » Transform technology, know-how and competences into technical and commercial added value.
- » Generate stable growth in sales and profit.



P.O. Box 132  
5480 AC Schijndel  
The Netherlands

T +31 (0)73 54 98 472  
F +31 (0)73 54 78 595

info@ptn.nl  
www.ptn.nl